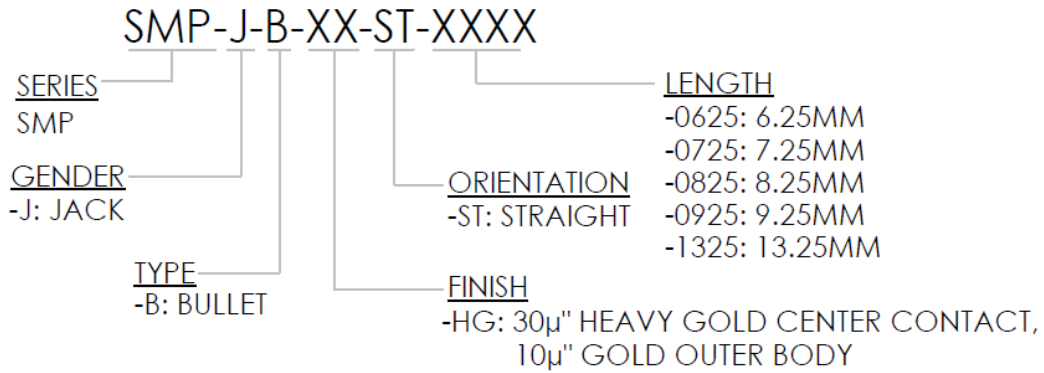
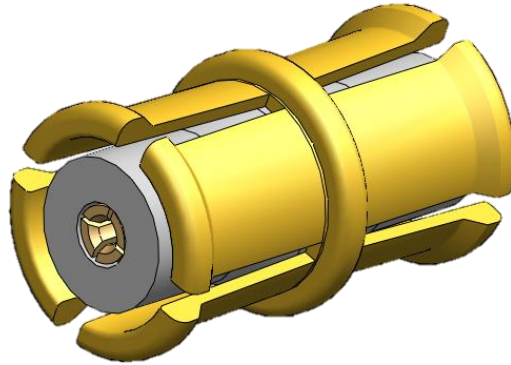


Series: SMP Bullet, Jack/Jack Adapter



MATERIAL AND FINISHES

Connector part	Material	Finish
Body	Beryllium Copper	Gold over Nickel
Socket	Beryllium Copper	Gold over Nickel
Insulator	PTFE Fluorocarbon	N/A

Series: SMP Bullet, Jack/Jack Adapter

ELECTRICAL DATA

Impedance	50 Ohm
Frequency Range	DC to 40 GHz
VSWR	DC to 26.5 GHz: 1.15:1 typ 12.5 GHz to 26.5 GHz: 1.20:1 typ 26.5 GHz to 40 GHz: 1.40:1 typ
Insertion Loss	$0.05\sqrt{F(GHz)} \text{ dB max}$
Center Contact Resistance	<6.0 mΩ
Outer Contact Resistance	<2.0 mΩ
Dielectric Withstanding Voltage (DWV)	500 VRMS Min
Insulation Resistance	5,000 MΩ Min

MECHANICAL DATA

Interface	Per MIL-STD-348
Durability	Full Detent: 100 Cycles minimum Limit Detent: 500 Cycles minimum Smooth Bore: 1000 cycles minimum
Center Contact Retention	1.5 lbs. min
Engagement Force	Full Detent: 68N (15.28 lbs) Max. Limit Detent: 45N (10.11 lbs) Max. Smooth Bore: 9N (2.02 lbs) Max.
Disengagement Force	Full Detent: 22N (4.94 lbs) Min. Limit Detent: 9N (2.02 lbs) Min. Smooth Bore: 2.2N (0.494 lbs) Min.

ENVIRONMENTAL DATA

Temperature Range	-65 to +165°C
Thermal Shock	MIL-STD-202, method 107, condition B
Vibration	MIL-STD-202, method 204, Condition B
Mechanical Shock	MIL-STD-202, method 213, condition B



Series: SMP Bullet, Jack/Jack Adapter

REFERENCED DOCUMENTS

Interface	Drawing & Footprint
6.25mm, SMP-J-B-XX-ST-0625	6.25mm SMP bullet Drawing
7.25mm, SMP-J-B-XX-ST-0725	7.25mm SMP bullet Drawing
8.25mm, SMP-J-B-XX-ST-0825	8.25mm SMP bullet Drawing
9.25mm, SMP-J-B-XX-ST-0925	9.25mm SMP bullet Drawing
13.25mm, SMP-J-B-XX-ST-1325	13.25mm SMP bullet Drawing

USE OF PRODUCT SPECIFICATION SHEET

This Product Specification Sheet (“PSS”) is a brief summary of information related to the Product identified. As a summary, it should only be used for the limited purpose of considering the purchase/use of Product. This PSS is the property of Samtec, Inc. (“Samtec”) and contains proprietary information of Samtec, our various licensors, or both. Samtec does not grant express or implied rights or license under any patent, copyright, trademark or other proprietary rights and the use of the PSS for building, reverse engineering or replication is strictly prohibited. By using the PSS, the user agrees to not infringe, directly or indirectly, upon any intellectual property rights of Samtec and acknowledges that Samtec, our various licensors, or both own all intellectual property therein. The PSS is presented “AS IS”. While Samtec makes every effort to present excellent information, the PSS is only provided as a guideline and does not, therefore, warrant it is without error or defect or that the PSS contains all necessary and/or relevant information about the Product. The user agrees that all access and use of the PSS is at its own risk. **NO WARRANTIES EXPRESSED OR IMPLIED, INCLUDING ANY WARRANTY OF MERCHANTABILITY, FITNESS FOR A PARTICULAR PURPOSE OR OF ANY KIND WHATSOEVER ARE PROVIDED**