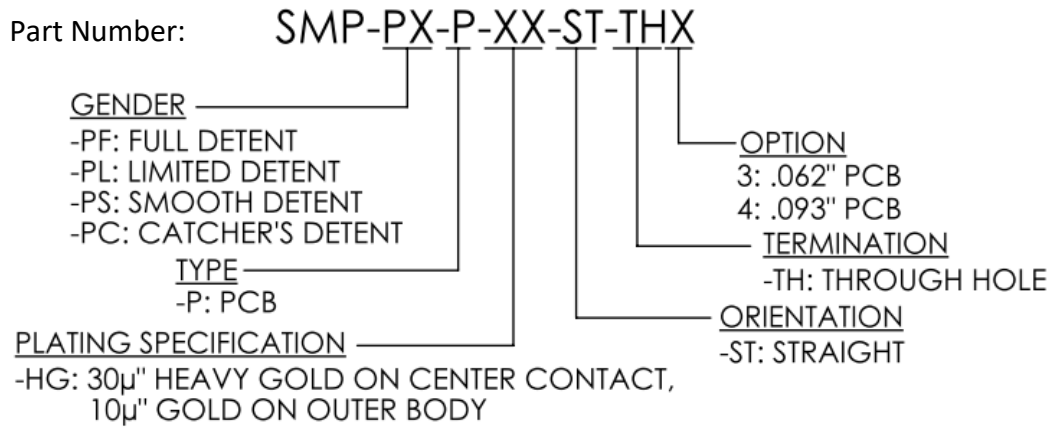
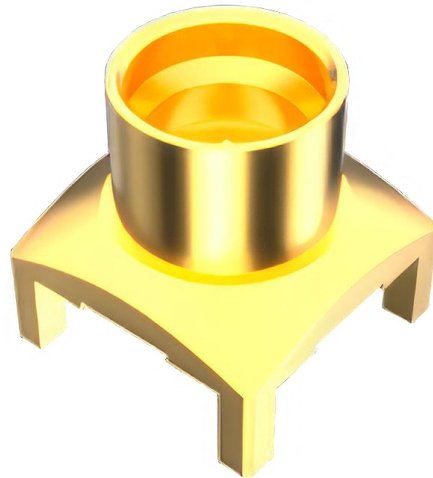


Series: SMP, Plug, PCB Through Hole, 50 Ω



Series: SMP, Plug, PCB Through Hole, 50 Ω

MATERIAL AND FINISHES

Connector part	Material	Finish
Body	Brass	10μ" Gold over Nickel
Insulator	PEEK	N/A
Pin	Brass	30μ" Gold over Nickel

ELECTRICAL DATA

Impedance	50 Ohm
Frequency Range	DC to 40 GHz
VSWR ¹	DC to 18 GHz: 1.20:1 typ. 18 GHz to 26.5 GHz: 1.30:1 typ. 26.5 GHz to 40 GHz: 1.50:1 typ.
Insertion Loss ²	$0.04\sqrt{F(GHz)}$ dB Max.
Insulation Resistance	5000 MΩ Min.
Voltage Rating (Sea Level) ³	235 Vrms Max.
DWV ³	700 Vrms Min. (sea level)

¹VSWR per connector when tested on Samtec multi-layer test PCB.

²Single connector insertion loss only.

³May be further limited by PCB design.

MECHANICAL DATA

Mating Interface ⁴	IAW MIL-STD-348, Figure 326-2 & 326-3 & 326-4 & 326-5
Mating Cycles	Full Detent: 100 cycles Limited Detent: 500 cycles Smooth Bore: 1000 cycles Catcher's Mitt: 1000 cycles
Engagement Force	Full Detent: 68N (15.28lbs) Max Limited Detent: 45N (10.11lbs) Max Smooth Bore: 9N (2.02lbs) Max. Catcher's Mitt: 9N (2.02lbs) Max.
Disengagement Force	Full Detent: 22N (4.94lbs) Min. Limited Detent: 9N (2.02lbs) Min Smooth Bore: 2.2N (0.49lbs) Min. Catcher's Mitt: 2.2N (0.49lbs) Min.
Radial Misalignment	+/- 0.025cm (0.010") Min.
Axial Misalignment	0.025cm (0.010") Max.
Mass	0.44g

⁴Compatible with GPO™ and SMP™ interfaces

Series: [SMP, Plug, PCB Through Hole, 50 Ω](#)

ENVIRONMENTAL DATA

Temperature Range	-65 to +165°C
Thermal Shock	MIL-STD-202, method 107, condition B
Vibration	MIL-STD-202, method 204, Condition B
Mechanical Shock	MIL-STD-202, method 213, condition B

REFERENCED DOCUMENTS

Interface	Drawing & Footprint
Full Detent	SMP-PX-P-XX-ST-THX
Limited Detent	
Smooth Bore	
Catcher’s Mitt	

USE OF PRODUCT SPECIFICATION SHEET

This Product Specification Sheet (“PSS”) is a brief summary of information related to the Product identified. As a summary, it should only be used for the limited purpose of considering the purchase/use of Product. This PSS is the property of Samtec, Inc. (“Samtec”) and contains proprietary information of Samtec, our various licensors, or both. Samtec does not grant express or implied rights or license under any patent, copyright, trademark or other proprietary rights and the use of the PSS for building, reverse engineering or replication is strictly prohibited. By using the PSS, the user agrees to not infringe, directly or indirectly, upon any intellectual property rights of Samtec and acknowledges that Samtec, our various licensors, or both own all intellectual property therein. The PSS is presented “AS IS”. While Samtec makes every effort to present excellent information, the PSS is only provided as a guideline and does not, therefore, warrant it is without error or defect or that the PSS contains all necessary and/or relevant information about the Product. The user agrees that all access and use of the PSS is at its own risk. **NO WARRANTIES EXPRESSED OR IMPLIED, INCLUDING ANY WARRANTY OF MERCHANTABILITY, FITNESS FOR A PARTICULAR PURPOSE OR OF ANY KIND WHATSOEVER ARE PROVIDED**