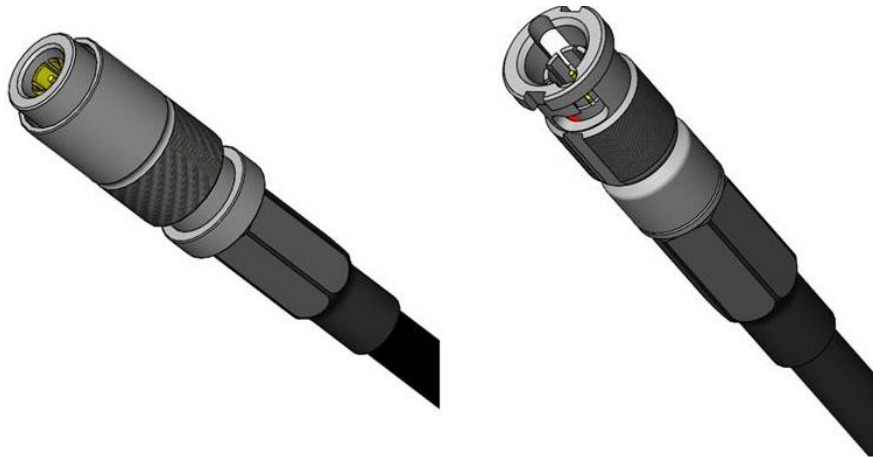




Project Number: Design Qualification Test Report	Tracking Code: 2546820_Report_Rev_1
Requested by: Iris Wang	Date: 11/30/2020
Part #: RFC8T-78SP4-505050-0153 & RFC8T-H4SP3-505050-0153	
Part description: RFC8T	Tech: Peter Chen
Test Start: 9/22/2020	Test Completed: 9/22/2020



DESIGN QUALIFICATION TEST REPORT

RFC8T

RFC8T-78SP4-505050-0153

RFC8T-H4SP3-505050-0153

REVISION HISTORY

DATA	REV.NUM.	DESCRIPTION	ENG
11/30/2020	1	Initial Issue	KH

CERTIFICATION

All instruments and measuring equipment were calibrated to National Institute for Standards and Technology (NIST) traceable standards according to ISO 10012-1 and ANSI/NCSL 2540-1, as applicable.

All contents contained herein are the property of Samtec. No portion of this report, in part or in full shall be reproduced without prior written approval of Samtec.

SCOPE

To perform the following tests: Design Qualification test. Please see test plan.

APPLICABLE DOCUMENTS

Standards: EIA Publication 364

TEST SAMPLES AND PREPARATION

- 1) All materials were manufactured in accordance with the applicable product specification.
- 2) All test samples were identified and encoded to maintain traceability throughout the test sequences.

FLOWCHARTS**Cable Pull**Group 1

RFC8T-78SP4-505050-0153

6 Assemblies

0 Degrees

*Note: Hold connector and cable end 2,
then pull until mechanical failure.***Step Description**

1. Cable Pull (1)

Group 2

RFC8T-H4SP3-505050-0153

6 Assemblies

0 Degrees

*Note: Hold connector and cable end 2,
then pull until mechanical failure.***Step Description**

1. Cable Pull (1)

(1) Cable Pull = EIA-364-38

Measure and Record Force Required to Failure

Failure = Discontinuity >1 microsecond at 10 ohms

ATTRIBUTE DEFINITIONS

The following is a brief, simplified description of attributes.

CABLE PULL:

- 1) Secure cable near center and pull on connector
 - a. At 0°, in-line with cable



Fig. 1
0° Cable pull

RESULTS

Cable Pull Out Force:

0° Pull out force

Run 1

RFC8T-78SP4-505050-0153

- Min -----46.66 lbs
- Max-----72.56 lbs

RFC8T-H4SP3-505050-0153

- Min -----66.06 lbs
- Max-----75.60 lbs

Run 2

RFC8T-78SP4-505050-0153

- Min -----63.89 lbs
- Max-----78.69 lbs

RFC8T-H4SP3-505050-0153

- Min -----65.94 lbs
- Max-----74.41 lbs

DATA SUMMARIES**Cable Pull Out Force****0° Pull out****Run 1****RFC8T-78SP4-505050-0153**

	Force (lbs)
Minimum	46.66
Maximum	72.56
Average	63.48

RFC8T-H4SP3-505050-0153

	Force (lbs)
Minimum	66.06
Maximum	75.60
Average	70.36

Run 2**RFC8T-78SP4-505050-0153**

	Force (lbs)
Minimum	63.89
Maximum	78.69
Average	72.00

RFC8T-H4SP3-505050-0153

	Force (lbs)
Minimum	65.94
Maximum	74.41
Average	69.37

EQUIPMENT AND CALIBRATION SCHEDULES**Equipment #:** HZ-TCT-01**Description:** Normal force analyzer**Manufacturer:** Mecmesin Multitester**Model:** Mecmesin Multitester 2.5-i**Serial #:** 08-1049-04**Accuracy:** Last Cal: 2020-4-27, Next Cal: 2021-4-26